

# RECONCRAFT



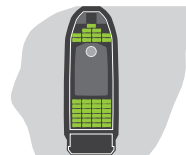
MANEUVERABILITY



SHALLOW WATER



WEEDS & DEBRIS



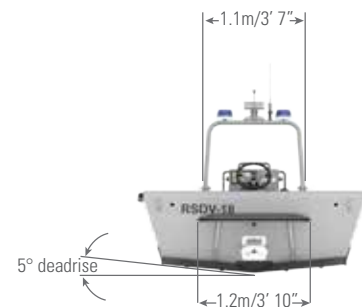
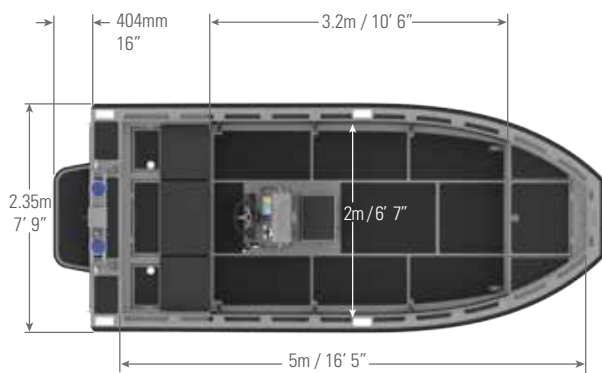
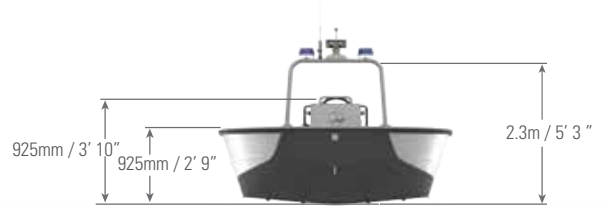
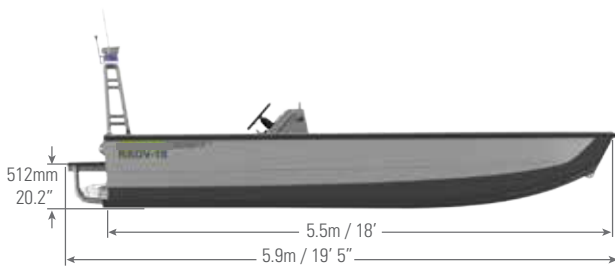
PAYLOAD



**RECONCRAFT™**

**The Riverine Shallow Draft Vessel (RSDV-18)** was originally developed to create a smaller version of the RSDV-21 used by U.S. Customs and Border Protection in extremely shallow and challenging waterways with hidden obstructions and heavy debris. The light weight and nimble RSDV-18 features robust hull construction and is capable of operating in less than 4" of water, making it ideal for missions requiring tight maneuvering at high speeds. Gasoline and diesel propulsion systems are available.

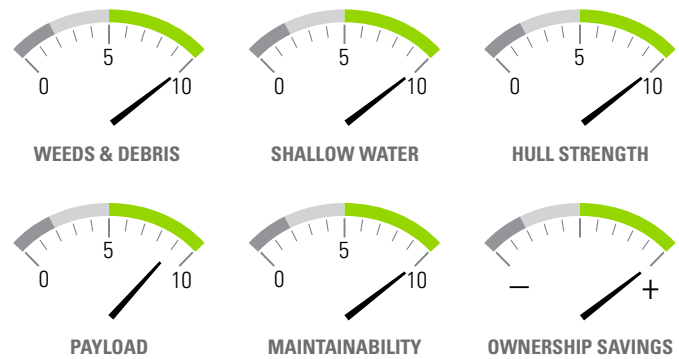
### RSDV-18CC General Dimensions



All specifications and measurements are approximate and subject to change without notice. Performance data is not guaranteed and can vary depending upon cargo/fuel load, owner's equipment, temperature, sea-state, and other variables.

ReconCraft™ are built to USCG/ABYC Standards.

# RSDV-18CC Advantages



## Components & Specifications

### Specifications

Length	18'-0"	5.5m
Length (w/ Ops Deck)	19'-6"	5.9m
Beam	8'-0"	2.54m
Draft (plane)	4"	10cm
Draft (static)	10"	25cm
Dead Rise	5°	5°
Displacement	1,600 lbs	726 kg
Fuel Capacity	30+ gallons	113+ litres

### Propulsion

Engine	Vortec 2.4L 130HP
Optional Marine Gear	Not Recommended
Jet	Kodiak 2 Stage/American Turbine SD203

Alternative propulsion configurations available based on specific needs.

### Performance

Max Speed	35+ MPH	56+ KPH
Cruise Speed	25-35 MPH	40-56 KPH
Range	150+ NM	278+ Km

### Qualities

- **Efficient, powerful, and durable propulsion systems** capable of operating in vegetation, debris, and shallow water result in outstanding patrol coverage.
- **Ergonomic designs, created with input from actual operators**, significantly reduce crew fatigue and maintain crew safety.
- **Simplistic and redundant mechanical and electrical systems**, with reserve capacity to support upgrades, yield unparalleled detection, monitoring, and interdiction capabilities.
- **Rugged hull structure, commonality of parts, and full access to the hull** via removable deck plates significantly decrease maintenance time and ownership costs.
- **Multi-mission configurations** result in tremendous tactical capability.

### Configuration

The RSDV-18 is specifically configured for operations requiring low overhead clearance (e.g. bridges, fallen trees, etc.). The console height has been lowered and the rear mast is fold-able to reduce overall height of the vessel and increase access under obstructions. The optional cooler located forward of the console can be secured to the deck to function as a seat. The large deck area offers maximum versatility for cargo, people, fire apparatus, equipment, and rescue baskets. Easy access to the engine compartment facilitates efficient service and maintenance.

# Features & Options

## Console

- LED Red/White Deck Lighting
- Bimini Canopy

## Hull Protection & Fendering

- 5086 Alloy Hull\* - Up to 0.190" Bottom Plating
- Proprietary CrashCoat™ Hull Protection System
- UHMW Slider Keel Pad (22")
- Black or Non-Marking Rub Rail

## Mechanical/Electrical Systems

- RACOR Fuel Filtration System
- Raw Water Cooling System\*
- 12V DC Distribution System\*
- Multiple DC Battery Banks

## Deck

- Tactically Designed Walk Around Configuration\*
- Full Deck Lighting Package (Flood & Spreader)
- Flush Mount Flat Top Cleat Package
- 4-Point Lifting Eyes
- Tow Bollard and Reel
- Anchor Locker
- Marine Grade Paint Coating System
- 3M Safety Walk™ Deck Tread
- Battery Charger & Monitor
- Engine Compartment Sound Insulation
- Tie Points - 8x Floor Mounted
- 12V Accessory Plugs
- Long Gun Storage System

## Weed & Debris (Flood Zone) Operations

- Patent Pending Weed-Debris Grate w/Helm Lever or Actuator

## Safety

- (2) Bilge Pumps (Auto and Manual)\*
- Below Deck Flotation\*
- Fire Extinguisher\*
- Anti-Fatigue Deck Matting

## Additional Options

- Whelen LE Lighting/Loudhailer Package
- Side Scan Sonar
- Portable Fire-Fighting System
- Forward Looking Infrared (FLIR) Camera
- Side Dive Doors
- Rescue Basket Mounts (Quick-Release)
- HC-130 Deployment Kit
- Many other mission specific items. Call for details.

# Additional Information

*For more information about this product, or any of ReconCraft's products, please contact us directly or visit our website:*

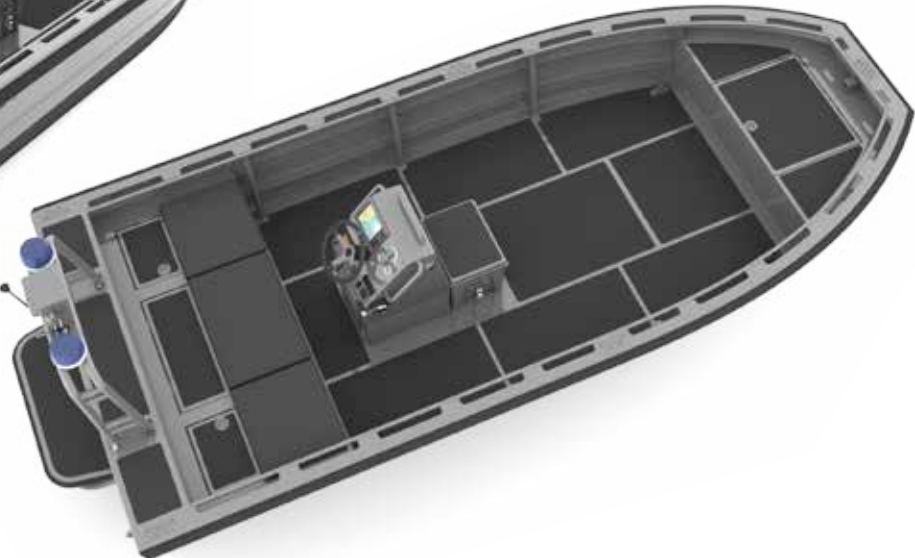
Phone: **+1 (877) 645-7761**

Email: **[info@reconcraft.com](mailto:info@reconcraft.com)**

Web: **[reconcraft.com](http://reconcraft.com)**

\*Indicates standard features on base model.

# RSDV-18CC Exterior & Interior Detail Views



## RC18CC



### THE RIVERINE SHALLOW DRAFT VESSEL (RSDV-18)

Length	18'-0"	5.5m
Length (w/Ops Deck)	19'-6"	5.9m
Beam	8'-0"	2.54m
Draft (plane)	4"	10cm
Draft (static)	10"	25cm
Dead Rise	5°	5°
Displacement	1,600 lbs	726 kg
Fuel Capacity	30+ gallons	113+ litres

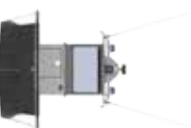


## RC21CC

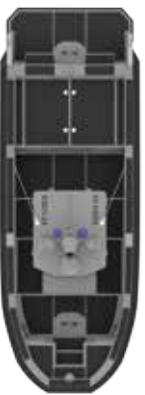


### THE RIVERINE SHALLOW DRAFT VESSEL (RSDV-21)

Length	21'-0"	6.4m
Length (w/Ops Deck)	23'-4"	7.1m
Beam	8'-4"	2.4m
Draft (plane)	4"	10cm
Draft (static)	11"	28cm
Dead Rise	5°	5°
Displacement	3,900 lbs	1,769 kg
Fuel Capacity	55+ gallons	265+ litres

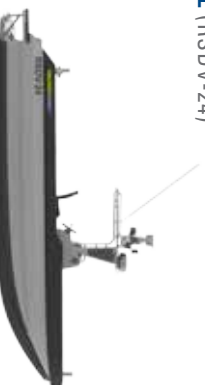


## RC24CC



### THE RIVERINE SHALLOW DRAFT VESSEL (RSDV-24)

Length	24'-0"	7.3m
Length (w/Ops Deck)	26'-8"	8.1m
Beam	9'-8"	2.9m
Draft (plane)	6"	15cm
Draft (static)	12"	30cm
Dead Rise	6°	6°
Displacement	4,900 lbs	2,223 kg
Fuel Capacity	100+ gallons	379+ litres

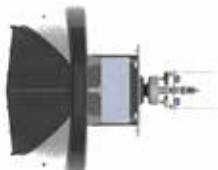


## RC28CC



### THE RIVERINE SHALLOW DRAFT VESSEL (RSDV-28)

Length	28'-0"	8.5m
Length (w/Ops Deck)	31'-2"	9.5m
Beam	11'-4"	3.45m
Draft (plane)	8"	20cm
Draft (static)	15"	38cm
Dead Rise	8°	8°
Displacement	6,950 lbs	3,152 kg
Fuel Capacity	120+ gallons	454+ litres



## RC28C CABIN



### THE RIVERINE SHALLOW DRAFT VESSEL (RSDV-28)

Length	28'-0"	8.5m
Length (w/Ops Deck)	31'-2"	9.5m
Beam	11'-4"	3.45m
Draft (plane)	8"	18cm
Draft (static)	15"	38cm
Dead Rise	8°	8°
Displacement	7,600 lbs	3,152 kg
Fuel Capacity	120+ gallons	454+ litres

